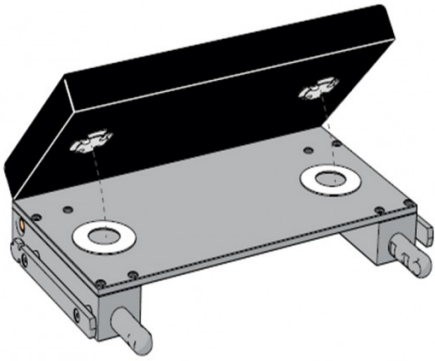




80mm Mattress for BACK02CE, Snaplinx version

B02CX3



Multi-density foam, welded seam.

Dimensions: 520 mm x 265 mm x 80 mm

COMPATIBLE WITH

CMAX3 - CMAX3-DRIVE - KERNA

