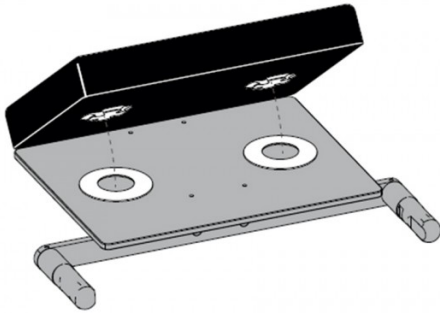




## 80mm Mattress for HEAD04BE, Snaplinx Version

H04CX3



Dimensions : 370mm x 280mm x 80m

Multi-density foam, welded seam.

---

### COMPATIBLE WITH

CMAX3 - CMAX3-DRIVE - KERNA

---

