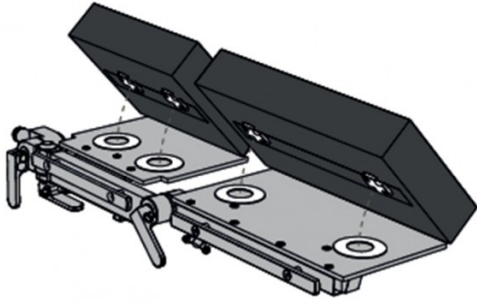




## 80mm Mattress Set for LEG30CE and LEG20CE, Snaplinx Version

L30CX3



Multi-density foam, welded seam.

---

### COMPATIBLE WITH

CMAX3 - CMAX3-DRIVE - KERNA

---

