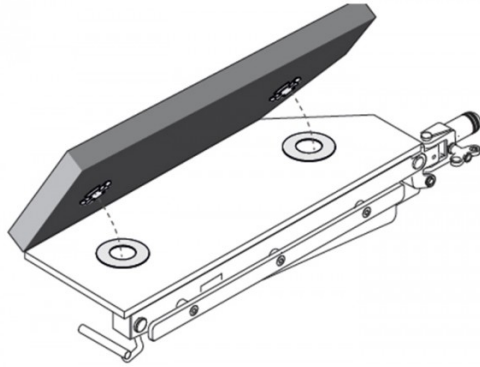




## Cuscino da 80mm (sinistra) for LEG10CE or LEG10ME, SnapLINX version

L10CX3L



Multi-density foam, welded seam.

Compatibile con LEG10ME

---

### COMPATIBILE CON

CMAX3 - CMAX3-DRIVE - KERNA

---

